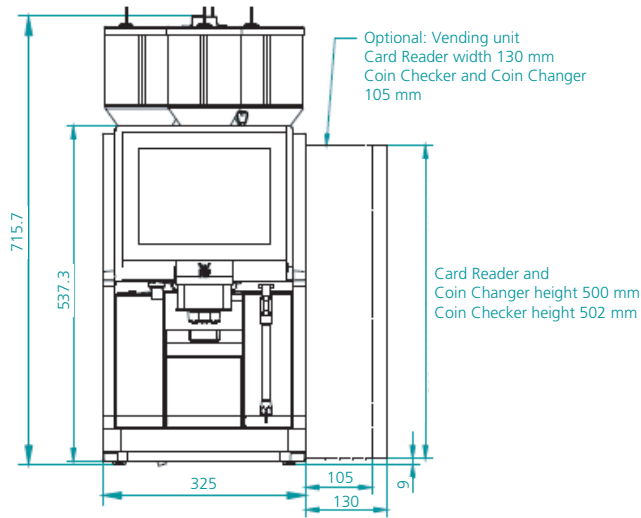


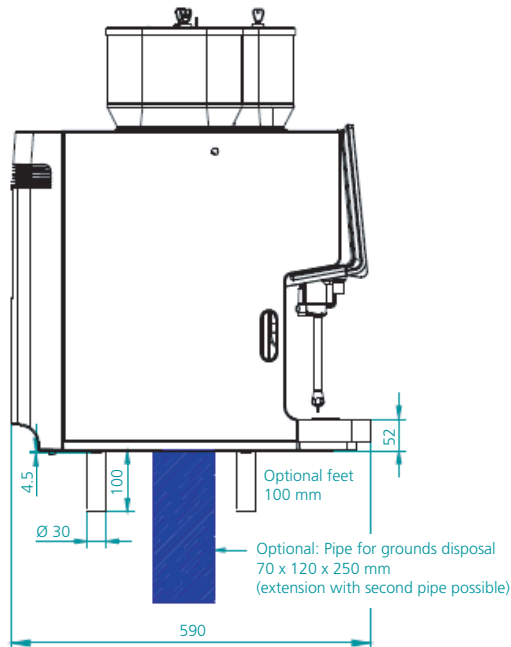
FRONT



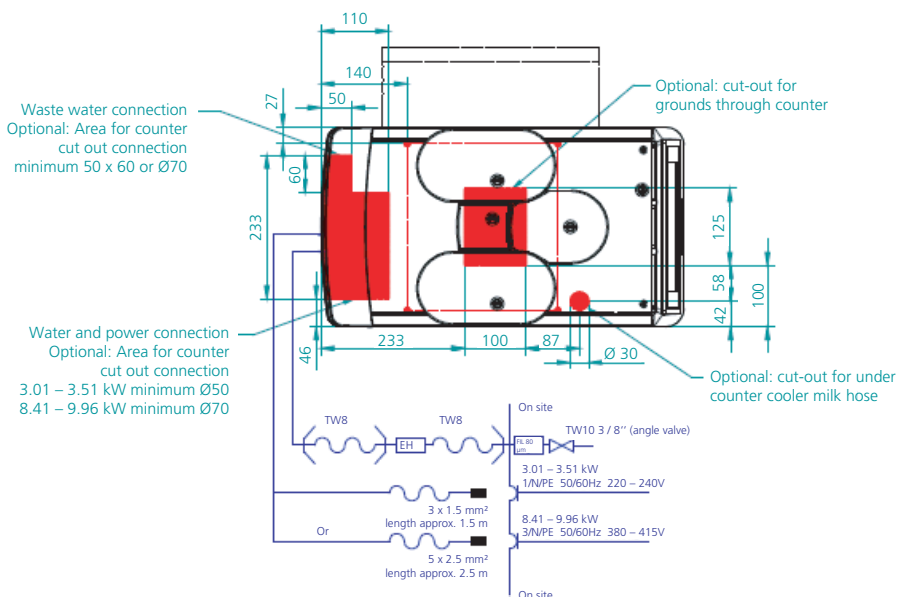
VISUAL



SIDE



TOP



SPECIFICATIONS

Nominal output/ power supply	3.01 - 3.51 kW / 220 - 240 V
Recommended daily / max. hourly output*	Up to 300 cups
Coffee bean hopper(s)	1100g (700g centered)
Choc or topping container	Approx. 2000 g
Dimensions (width / height** / depth)	325 mm / 716 mm / 590 mm
Empty weight, depending on fittings	Approx. 37 kg
Continuous sound pressure level (LpA)***	< 70 dB (A)
Continuous Water Connection	3/8" with tap
Waste Connection	Within 1m

\* Performance was recorded using a machine with fixed water supply and is dependent on cup size, quality settings, spout, model and nominal power rating. The basis for the recommended max. daily capacity is the respective selected service concept. These average values are provided as a guide. Let our trained WMF personnel put together a customised coffee machine solution for you. \*\* Height with bean hopper with lock, no lock. \*\*\* The A-rated sound pressure level LpA (slow) and LpA (impulse) at operating personnel work stations is under 79 dB(A) in any operating mode. Above 5°dKH (carbonate hardness), a WMF water filter must be fitted.

### CONDITIONS FOR USAGE AND INSTALLATION

Necessary on-site preparatory work for electricity, water and drainage connections at the customer's premises are to be arranged by the machine owner / operator. The work must be carried out by authorised installation technicians in compliance with general, country-specific and local regulations. The WMF service engineers may only connect the coffee machine to existing prepared connection points. WMF Service is neither authorised nor responsible for carrying out any on-site installation work prior to connection.

Mains voltage tolerance range	230 V +6 % and -10 %. Mains voltage interruption < 50 ms: no interruption of function
Water supply	3/8 inch hose connector with mains tap, and filter with 0.2 to 0.25 mm mesh size, on site and within 1m from machine. At least 0.3 MPa (3 bar) flow pressure at 2 L/min (standard). Maximum 0.6 MPa (6 bar). Maximum inlet temp 35 °C. The set of hoses provided with the new coffee machine and/or the new water filter must be used. Do not use old hoses.
Water quality	BWT Water filtration (or equiv). Ideal water quality is; TDS 120ppm, PH Level 7.0, Carbonate hardness below 5 °dKH.
Water drain tube (Plumbed)	Tube a minimum of DN 19, minimum downward slope of 50 cm/m
Ambient temperature	+5 °C to +35 °C
Maximum humidity	80% relative humidity without condensation. Do not use device outdoors.
Degree of protection	IP X0
Installation surface / water spray	The device must be placed and leveled on a horizontal, sturdy, water-resistant, and heatproof base. The device must not be cleaned using a water jet. The device must be installed where it is protected against water spray. The device must not be located on a surface that is sprayed or cleaned with a water hose, steam jets, steam cleaner, or similar devices.